

# Concentrator

GKST

Genç Değirmen<sup>®</sup>  
MILLING MACHINERY

*Excellent Milling Properties...*

## WORKING PRINCIPLES

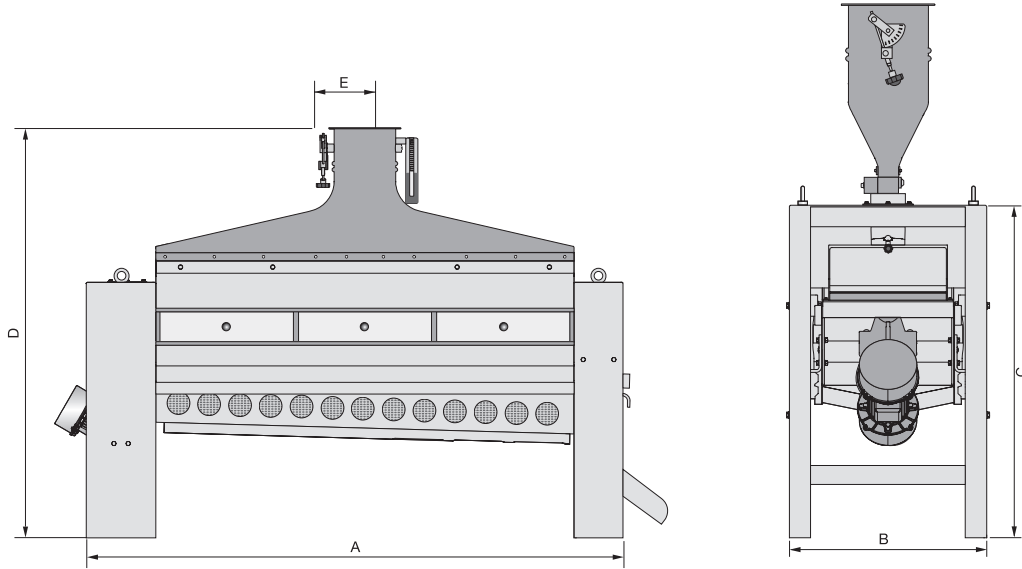
A coarse separation between the maize germ and the degerminated maize, takes place concentrator. This separation is achieved by exploiting the different densities of the maize germ and the degerminated maize.

## FEATURES

- Durable Long Life
- Robust Construction
- Cold / Silent Running
- Low Specific Power Consumption



**Product Data Sheet**



Type	Technical Features			Dimensions(mm)					Weight (kg)
	Capacity (t/h)	Power (kW)		A	B	C	D	ØE	
		kW	Rpm						
GKST 45/200	4.5	2 x 0.2	600	2600	740	1250	2100	300	400