

# PURILINA

Semolina Purifier / GIS

**Genç Değirmen**  
MILLING MACHINERY

*Excellent Milling Properties...*

## WORKING PRINCIPLES

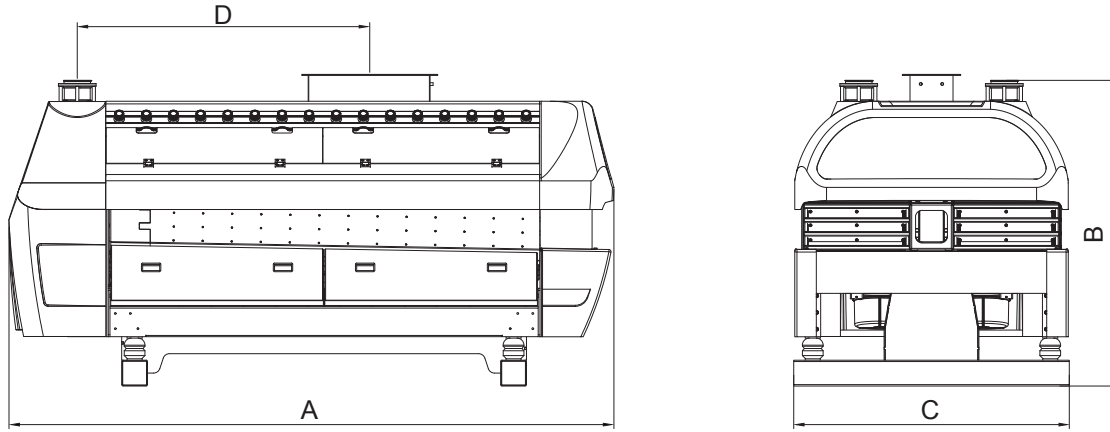
The Purifier is used for the cleaning and classification of semolina, in wheat/maize flour and semolina mills. The product flow rate is adjustable by regulating plate then product can be spread uniformly on the surface of screen. The screening process is carried out by 3 layers of frame. Aero dynamic air section system is composed of sixteen chambers for every passage and allows required adjustment for best air distribution. Thanks to LED lighting system, it provides less energy consumption. Product flow pipes can be crossed through in the middle of machine.

## FEATURES

- Effective Cleaning
- Trouble Free Operation
- Noiseless Working
- Quick And Easy Replacement Of Sieves
- High Sanitation



**Product Data Sheet**



Type	Technical Features				Dimensions(mm)				Weight (kg)
	Sieve Area in (m <sup>2</sup> )	Volume (m <sup>3</sup> )	Air Required (m <sup>3</sup> /min)	Power (kW)	A	B	C	D	
GIS 2/46/200	4.5	4.5	40-70	2 x 0.20 (vibro)	2800	1420	1280	1355	1200