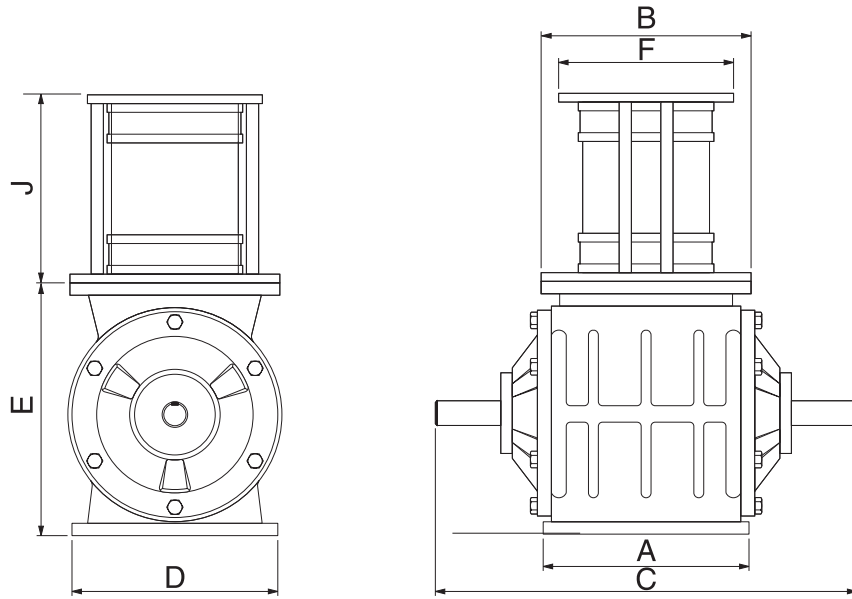


## WORKING PRINCIPLES

Air Lock is used to transport grinded products or other powder materials by air, it separates air and product and send product to exit way.



**Product Data Sheet**



Type	Dimensions (mm)								Capacity (t/h)	Weight (kg)
	A	B	C	D	E	ØF	G	J		
GHK 220	245	245	500	235	320	240	160	215	5	200
GHK 240	250	250	500	250	321	240	160	215	6	250
GHK 270	250	250	500	250	325	222	160	215	14	365
GHK 300	250	250	500	250	343	222	175	215	18	510
GHK 400	335	335	580	308	480	332	245	200	20	765
GHK 500	385	385	650	385	615	383	272	215	25	500
GHK 500	480	480	750	440	505	480x440	252.5	-	30	810