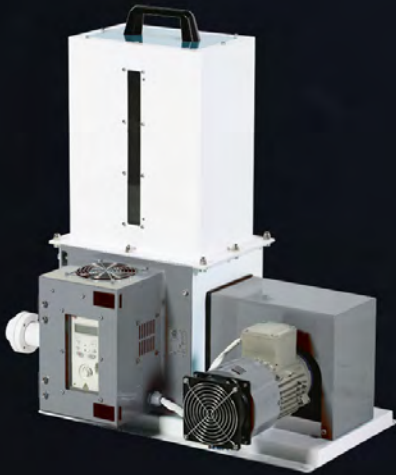


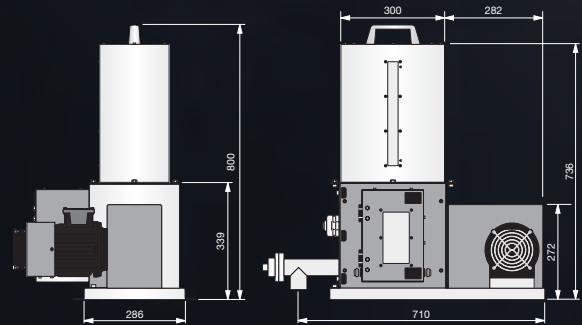
*Excellent Milling Properties...*

## Dosage Machine (Speed Controlled)



### WORKING PRINCIPLES

Dosage Machine is used to add enzyme, vitamin, mineral into the product with sensitive speed control.



## Macro Dosage



### WORKING PRINCIPLES

It is used for adding any type of product to the system. It has high capacity with dust-free operation.

