

Rotoflow Vibro Discharger GRF

Genç Değirmen[®]
MILLING MACHINERY

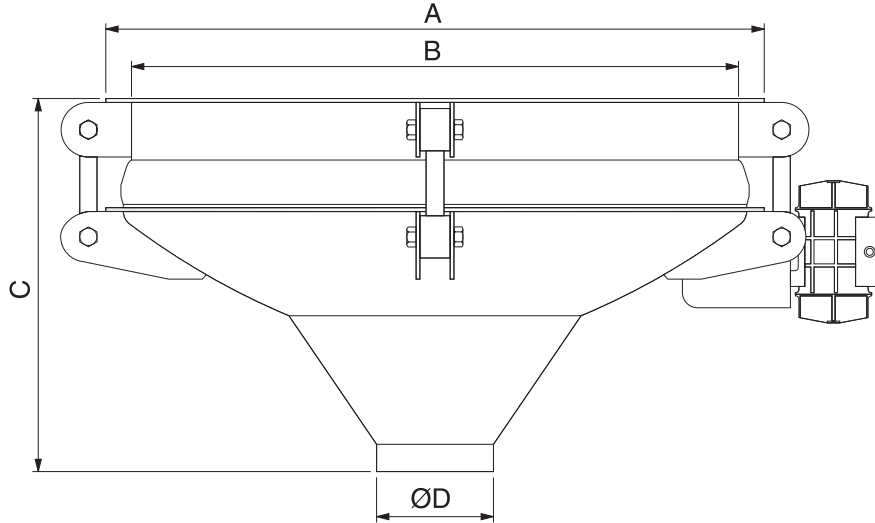
Excellent Milling Properties...

WORKING PRINCIPLES

Vibro Discharger is used to discharge of powder products inside of silos.



Product Data Sheet



Type	Technical Features		Dimensions (mm)				Weight (kg)
	Volume (m ³)	Power (kW)	A	B	C	ØD	
GRF 60	0.4	0.085 (Vibro)	690	570	400	160	150
					*500	*200	
GRF 80	0.8	0.17(Vibro)	890	770	500	200	175
					*550	*300	
GRF 100	1.3	0.17(Vibro)	1090	970	620	200	250
					*750	*300	
GRF 130	2.3	0.3(Vibro)	1390	1270	750	300	200
					*900	*500	
GRF 160	2.8	0.3(Vibro)	1690	1570	740	300	350
					850	*500	
GRF 200	7.2	0.3(Vibro)	2090	1970	930	300	475
					*1175	*500	