

# Inclined Intensive Dampener

GAC

**Genç Değirmen**  
MILLING MACHINERY

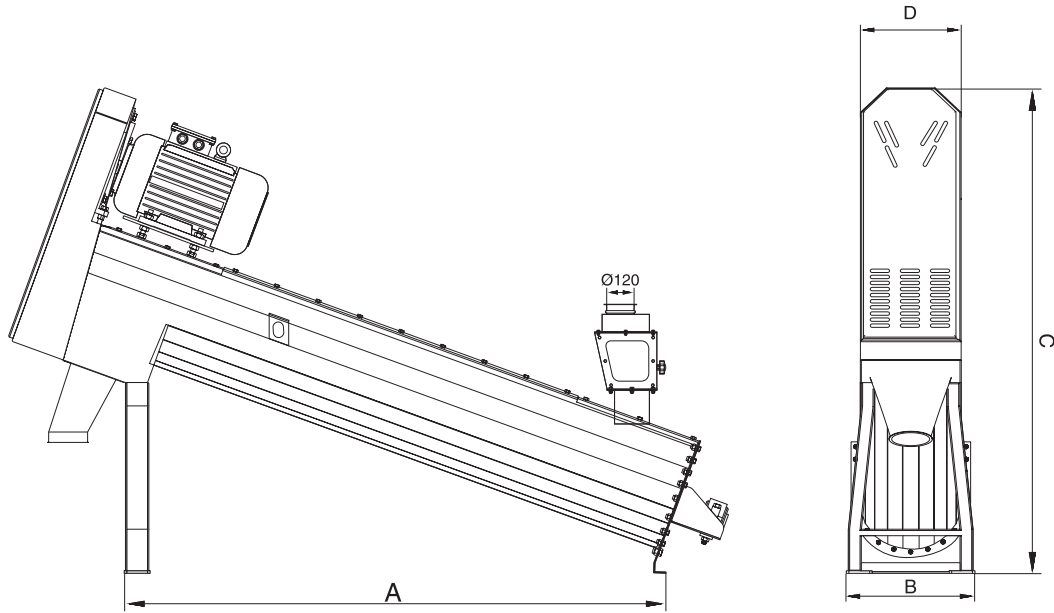
*Excellent Milling Properties...*

## WORKING PRINCIPLES

The inclined intensive dampener's rotor system provides intensive but gentle dampening of grain with a moisture addition level. The two-component injection system and the high material whirling via special rotor result in optimal intermixing with the atomized liquid, thus ensuring efficient moisture addition in flours and brans.



**Product Data Sheet**



Type	Technical Features			Dimensions (mm)				Weight (kg)
	Capacity (t/h)	Volume (m <sup>3</sup> )	Power(kW)	A	B	C	D	
GAC 250	6-8	11	7.5	1930	450	1760	375	375
GAC 350	10-15	13	11	2800	612	2005	500	550
GAC 500	15-20	15	15	2140	712	1950	540	750
GAC 600	30-45	20	22	2080	710	2135	635	550